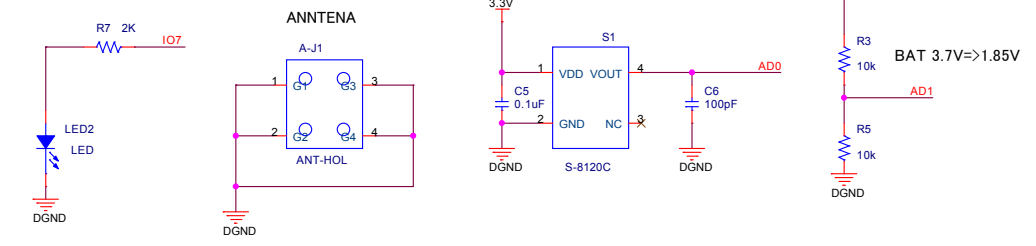
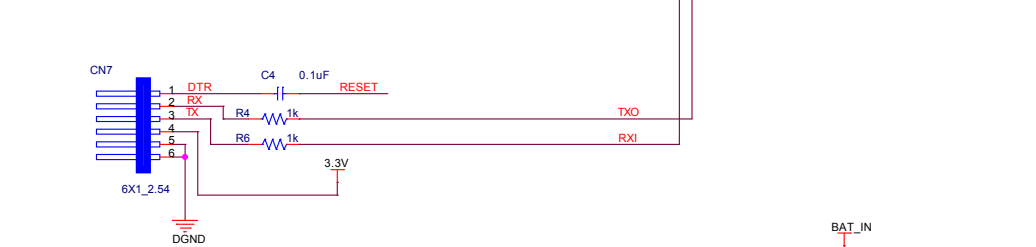
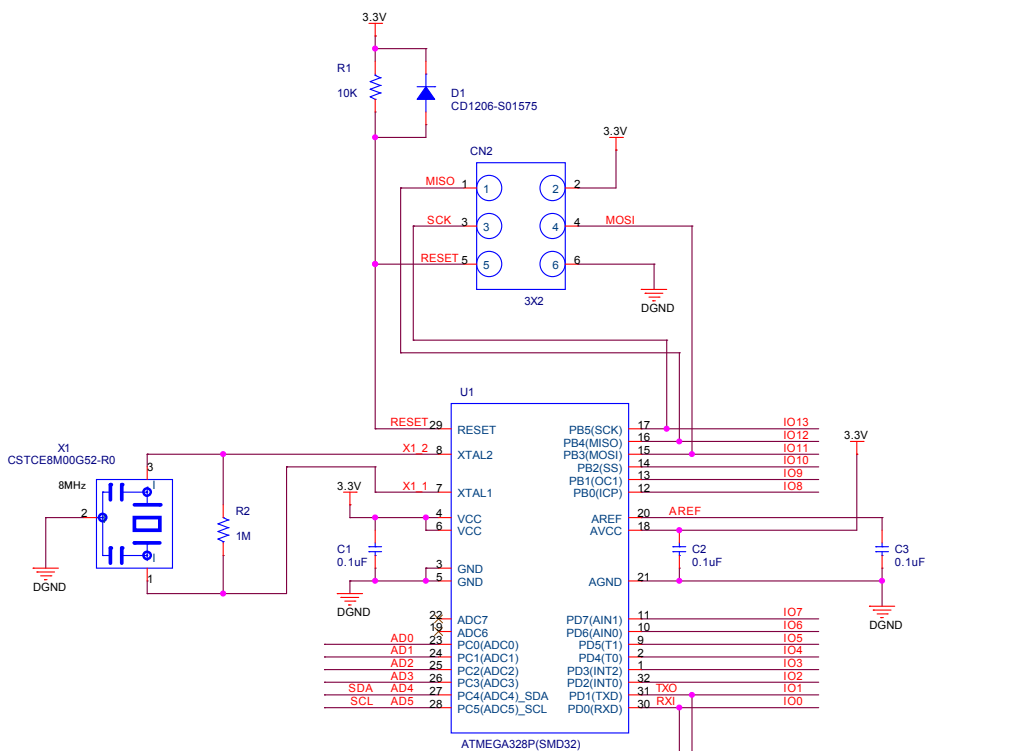


DENSUKE Ver2 (V1.9 Not Mount)



Title		DENSUKE V2.0	
Size	A3	Document Number	<Doc>
Date:	Sunday, April 26, 2015	Sheet	1 of 1
Rev	<Rev>	Code	<Code>