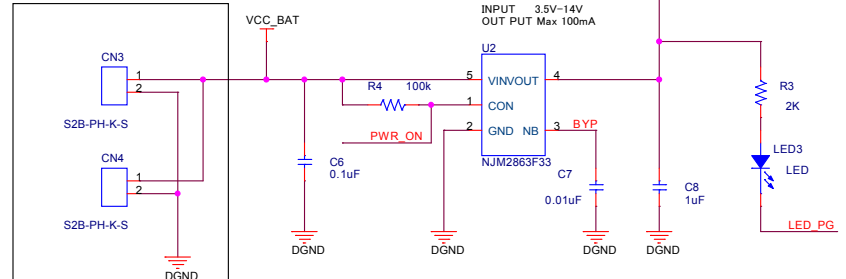
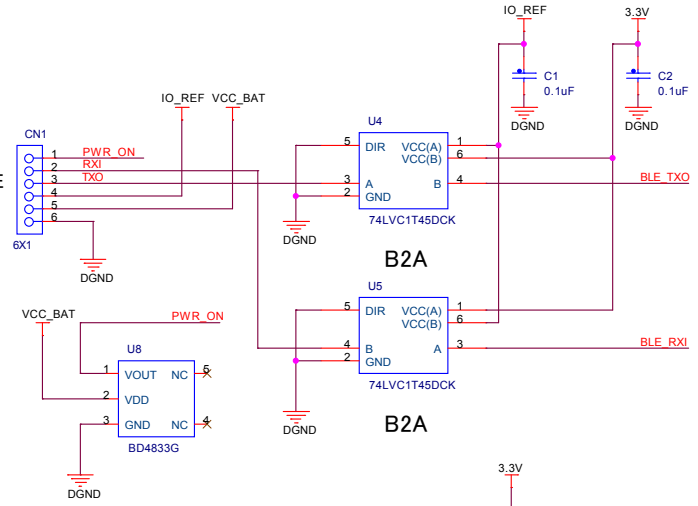
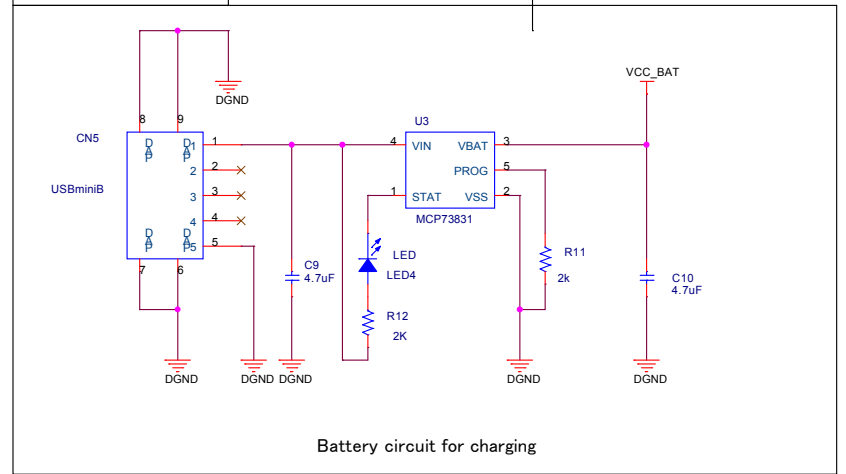


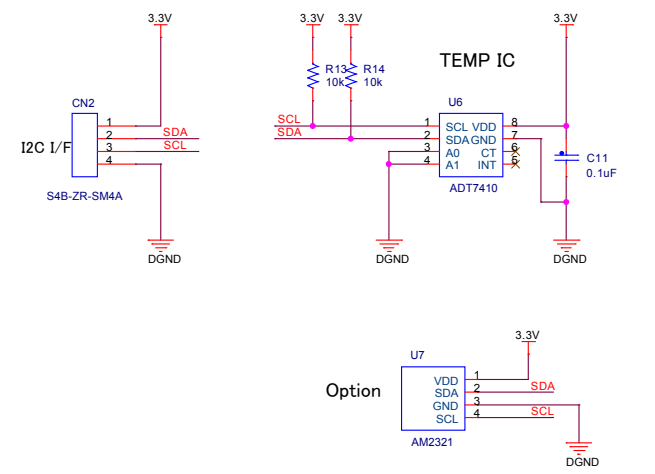
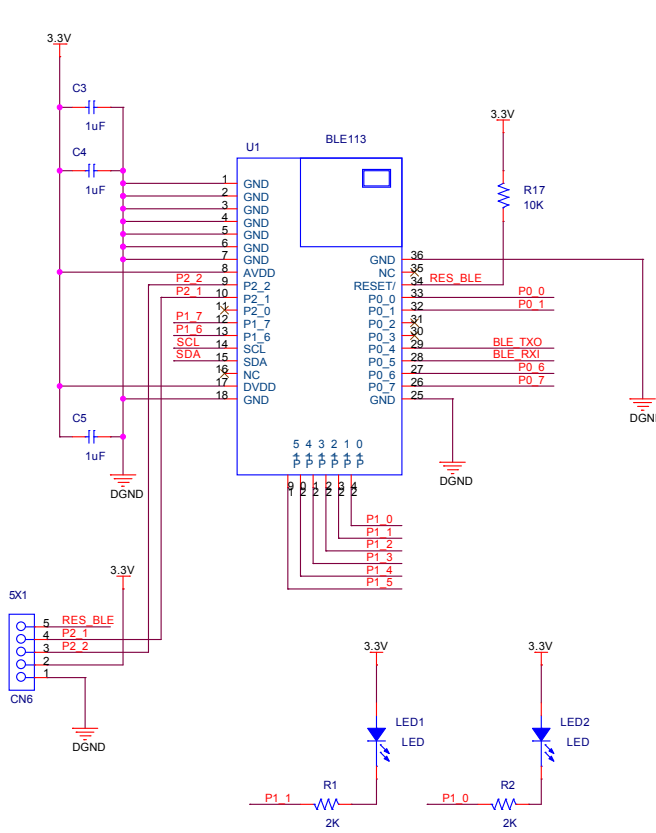
Connect DENSUKE



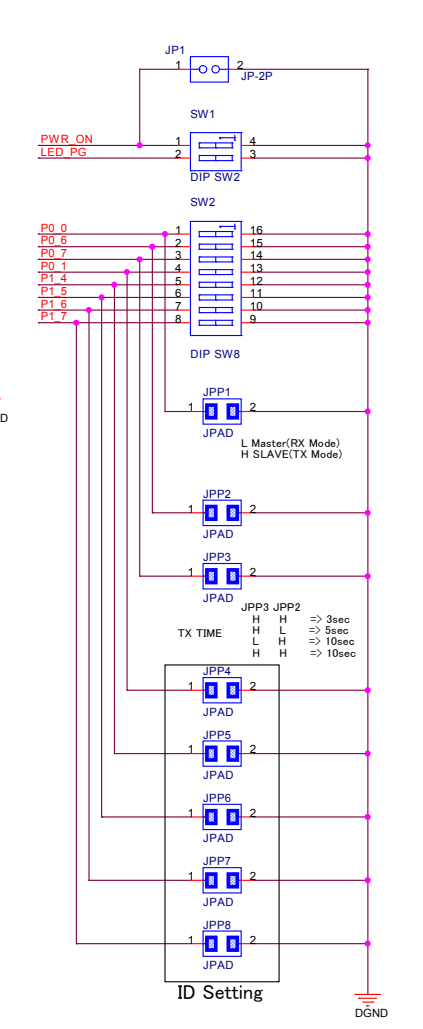
Connector for battery connections
If CN1 is used(connect DENSUKE), this circuit is non-mounting.



Battery circuit for charging



Option



ID Setting

Title		
BLE for DENSUKE V2.0		
Size	Document Number	Rev
A3	<Doc>	<Re Code>
Date:	Saturday, September 12, 2015	Sheet 1 of 1